

CENTURY®

LEGENDARY LEADERSHIP



OWNER'S MANUAL

5130 / 5230

INSTALLATION, OPERATION, MAINTENANCE & PARTS

NOTE: MANUAL including SPECIFICATIONS, subject to change without notice
All ratings specified are based on structural factors only,
not vehicle capacities or capabilities.

CENTURY®

Miller Industries Towing Equipment Inc.
8503 Hilltop Drive
Ooltewah, Tennessee 37363

FORM NO. 0501140
08 / 01

Phone (423) 238-4171 • FAX (423) 238-5371

PRICE \$25.00

LIMITED WARRANTY

MILLER INDUSTRIES TOWING EQUIPMENT INC., hereinafter referred to as MILLER, warrants to the original purchaser that each new MILLER wrecker or other MILLER products will be free from defects in material and workmanship for a period of twelve (12) months from date placed in service, but in no event shall such warranty period exceed twenty-four (24) months from date of manufacture by MILLER. The purchaser must promptly notify MILLER in writing of any failure in material or workmanship. In no event shall MILLER accept such notification later than twenty-four (24) months from date of delivery or twelve (12) months from date placed in service, whichever is earlier.

MILLER's obligation under this warranty, statutory or otherwise, is limited to the repair or replacement at the MILLER factory, or at a point designated by MILLER, of such part or parts as shall appear upon inspection by MILLER to be defective in material or workmanship. New or remanufactured parts will be used for any replacement at MILLER's option. This warranty is not transferable. This warranty does not obligate MILLER to bear the cost of labor or transportation charges in connection with the repair or replacement of any parts found to be defective, nor shall it apply to a product upon which repairs or alterations have been made unless authorized by MILLER.

EXCEPT AS EXPRESSLY SET FORTH IN THIS WARRANTY, MILLER MAKES NO OTHER WARRANTY, EXPRESS OR IMPLIED, AND HEREBY DISCLAIMS ALL OTHER WARRANTIES INCLUDING, BUT NOT LIMITED TO, THE IMPLIED WARRANTIES OF MERCHANTABILITY AND FITNESS FOR A PARTICULAR PURPOSE. MILLER shall in no event be liable for claimed downtime, claimed loss of profits or goodwill, or any other special, incidental, indirect, or consequential damages concerning or relating to any product or parts, whether based on negligence, strict liability, breach of contract, breach of warranty, misrepresentation or any other legal theory, regardless of whether the loss resulted from any general or particular requirement which MILLER knew or had reason to know about at the time of sale.

MILLER MAKES NO WARRANTY, EXPRESS OR IMPLIED, AS TO THE FINISHED PRODUCTS MANUFACTURED OR SUPPLIED BY ANOTHER MANUFACTURER AND SUPPLIED BY MILLER TO PURCHASER, including, but not limited to, any vehicle to which a MILLER product may be affixed or any accessories or wire rope, and MILLER EXPRESSLY DISCLAIMS ANY IMPLIED WARRANTIES OF MERCHANTABILITY OR FITNESS FOR A PARTICULAR PURPOSE AS TO SUCH EQUIPMENT OR PRODUCTS. This language shall in no way affect or diminish the rights of the purchaser to rely on such warranties as are extended by such manufacturers or suppliers. MILLER shall, to the extent permitted under applicable law, pass on to the purchaser such manufacturer's or seller's warranty.

MILLER, whose policy is one of continuous improvement, reserves the right to improve its products through changes in design or materials as it may deem desirable without being obligated to incorporate such changes in products previously sold. This warranty is not intended to cover or include the following items, which are set forth by way of example and not limitation:

- A. Normal deterioration of trim, paint, lettering, and appearance items due to wear or exposure to weather, road conditions, road treatments, etc.
- B. Any damage or defect due to accident, misuse, abuse, improper or unauthorized repairs, failure to provide reasonable and necessary maintenance, or uses for which the equipment was not designed or intended.
- C. Alterations or modifications that affect performance, operation or reliability.
- D. Normal maintenance parts including, but not limited to, wear pads, bushings, wire rope, mud flaps, fenderettes, light bulbs, hydraulic oil, filters, and tow sling belts.

IT IS EXPRESSLY UNDERSTOOD THAT MILLER MAKES NO IMPLIED WARRANTY THAT MILLER PRODUCTS SHALL BE FIT FOR THE PURPOSE OF LIFTING OR MOVING PEOPLE OR FOR ANY OTHER IMPROPER USE.



Miller Industries Towing Equipment Inc.
8503 Hilltop Drive
Ooltewah, Tennessee 37363

Telephone (423) 238-4171

SERIAL NUMBER

Section VI - PARTS

This Section is provided by the manufacturer for the purpose of ordering any component part of the **CENTURY 5130** or **5230** that may be required when part replacement is necessary. Be certain to use only original equipment replacement parts for warranty purposes as well as for keeping your **CENTURY 5130** or **5230** in its original state and optimum operating capacities. When ordering replacement or spare parts be sure to provide the following information to the manufacturer's **Parts Department**.

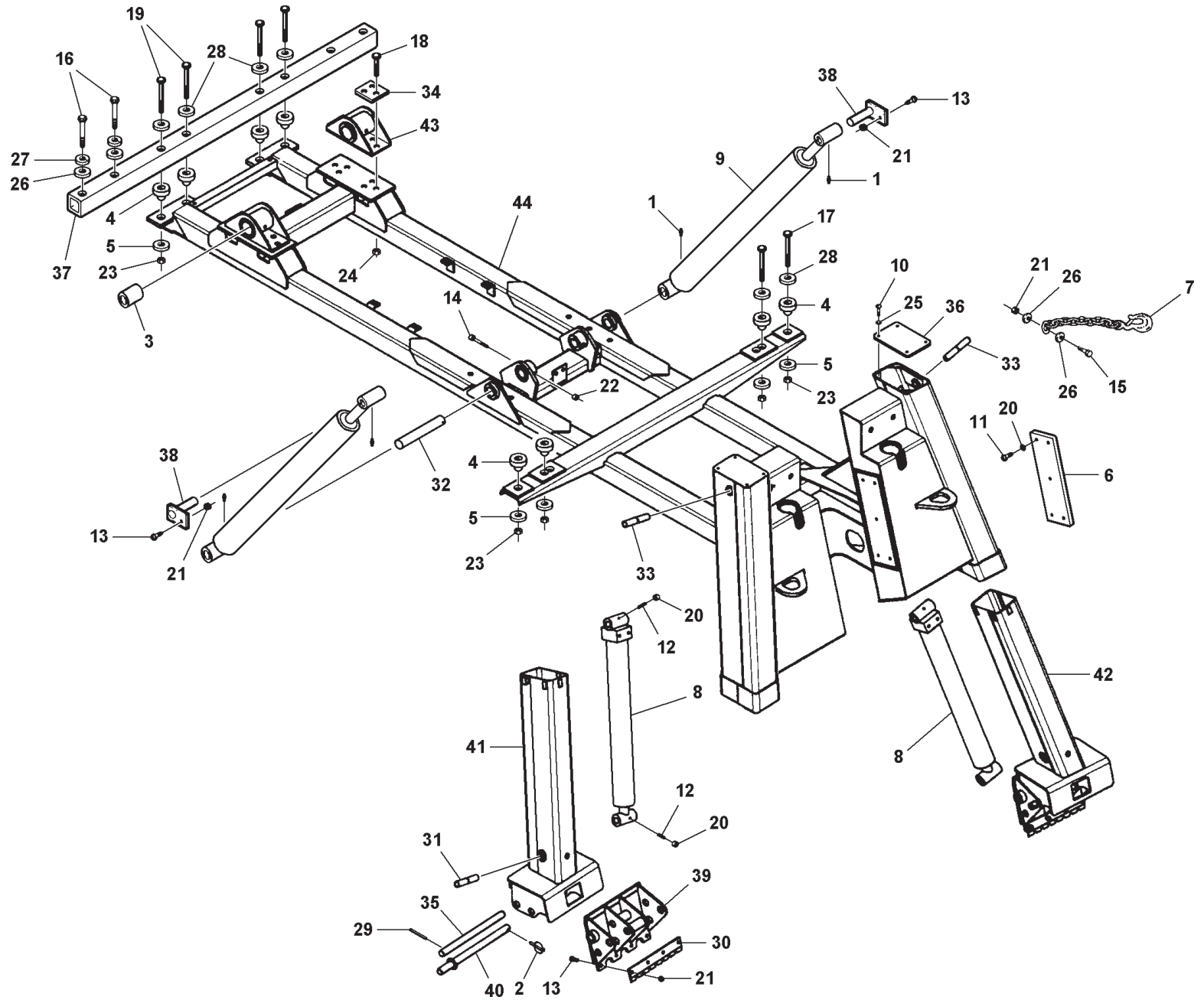
1. **Manual Number & Date of Publication**
2. **Manual Page Number**
3. **Page Title**
4. **Reference Number of Part Desired**
5. **Part Number**
6. **Part Description**
7. **Quantity of Part Desired**

Providing this information will help ensure that the correct parts will be delivered to you in an expedient manner. Should additional information be required for repair or replacement of certain components, contact your Manufacturer Authorized Representative.

The Manufacturer reserves the right, without notice or obligation, to improve or modify their products, which may change the specifications, models and feature availability.

Section VI - PARTS (cont'd)

SUBFRAME ASSEMBLY



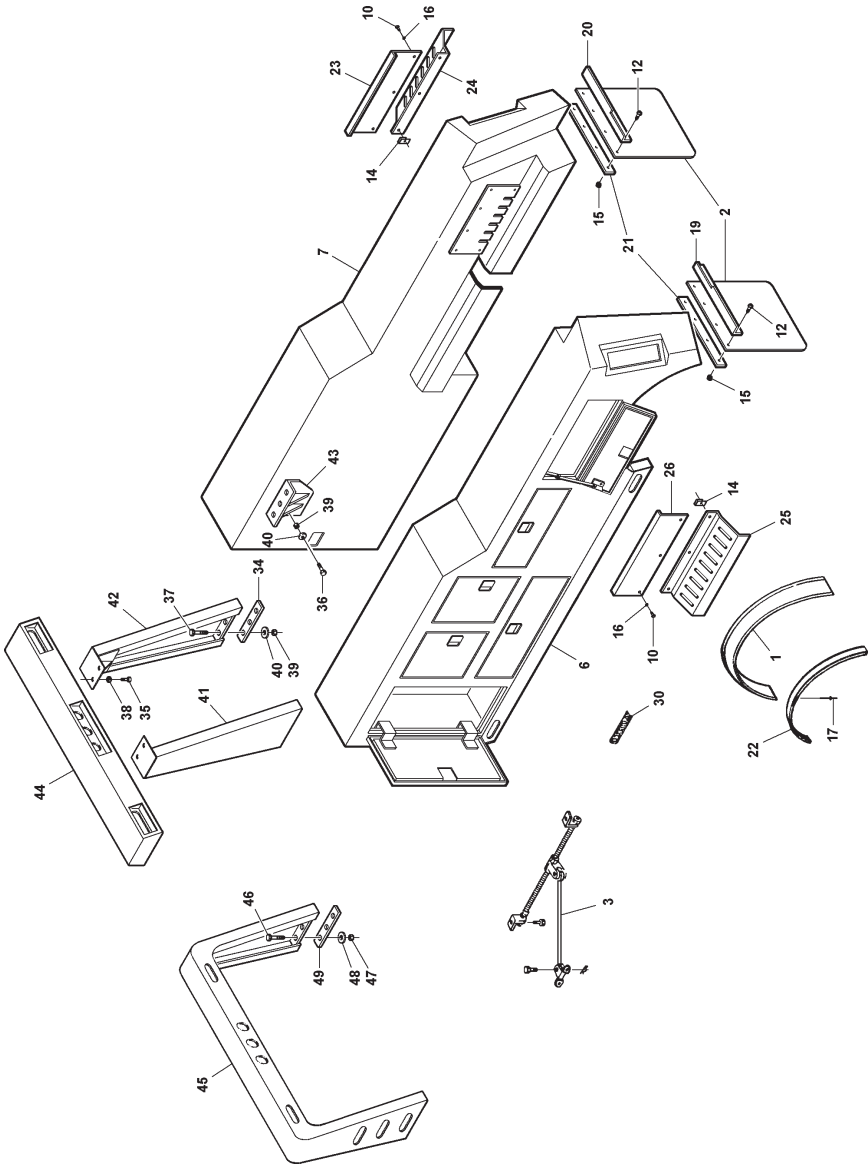
Section VI - PARTS (cont'd)

SUBFRAME ASSEMBLY

REF. NO.	NO. REQ'D	PART NUMBER	DESCRIPTION
1	6	0300113	GREASE FITTING
2	2	0301861	QUICK PIN
3	2	0302538	BUSHING, 3-1/2" X 2-1/2" INTERNAL
4	8	0302540	CENTER BONDED MOUNT
5	12	0302541	SPECIAL WASHER
6	2	0303140	RAMP PAD
7	2	0303445	SAFETY CHAIN, SYSTEM 10
8	REF.	0306647	SPADE CYLINDER
9	REF.	0307012	LIFT CYLINDER
10	8	0400066	SCREW, 1/4"-20 X 3/4" HEX HD CAP
11	10	0400128	SCREW, 3/8"-16 X 1-1/4" FL HD SKT
12	4	0400139	SCREW, 3/8"-16 X 1-1/2" HEX SKT SET
13	10	0400181	SCREW, 1/2"-13 X 1-1/2" HEX HD CAP
14	2	0400219	SCREW, 1/2"-13 X 4-1/2" HEX HD CAP
15	2	0400260	SCREW, 5/8"-11 X 2" HEX HD CAP
16	4	0400276	SCREW, 5/8"-11 X 4-1/2" HEX HD CAP
17	4	0400281	SCREW, 3/4"-10 X 3-1/2" HEX HD CAP
18	12	0400288	SCREW, 3/4"-10 X 2-1/2" HEX HD CAP
19	4	0400294	SCREW, 3/4"-10 X 6-1/2" HEX HD CAP
20	23	0400392	NUT, 3/8"-16 NYLOK HEX
21	2	0400408	NUT, 1/2"-13 NYLOK HEX
22	2	0400421	NUT, 5/8"-11 NYLOK HEX
23	4	0400430	NUT, 3/4"-10 NYLOK HEX
24	12	0400431	NUT, 3/4"-10 NYLOK HEX
25	8	0400452	LOCKWASHER, 1/4" HELICAL
26	10	0400506	WASHER, 5/8" FLAT
27	4	0400508	LOCKWASHER, 5/8" HELICAL
28	8	0400510	WASHER, 3/4" FLAT (5230)
29	2	9046354	SPRING PIN, 1/4" X 2-1/2"
30	2	0705485	SPADE BLADE
31	2	0705500	SHAFT, LOWER SPADE
32	2	0707118	PIN, LIFT CYLINDER
33	2	0707394	SHAFT, UPPER SPADE
34	4	0714581	BOLTING PLATE
35	2	0715694	PIN, SPADE PIVOT
36	2	0715796	COVER PLATE, SPADE
37	1	0802211	FRONT BODY MTG TUBE (5130)
--	1	0802868	FRONT BODY MTG TUBE WELDMNT (5230)
38	2	0802219	PIVOT PIN, LIFT CYLINDER
39	2	0804286	LOWER SPADE PAD WELDMNT
40	2	0804334	PIN, MULTI-POSITION
41	1	0804360	LEFT INNER SPADE WELDMNT
42	1	0804361	RIGHT INNER SPADE WELDMNT
43	2	0804405	BRACKET, BOOM PIVOT
44	1	0805899	SUBFRAME WELDMNT

Section VI - PARTS (cont'd)

STANDARD BODY ASSEMBLY - 5130

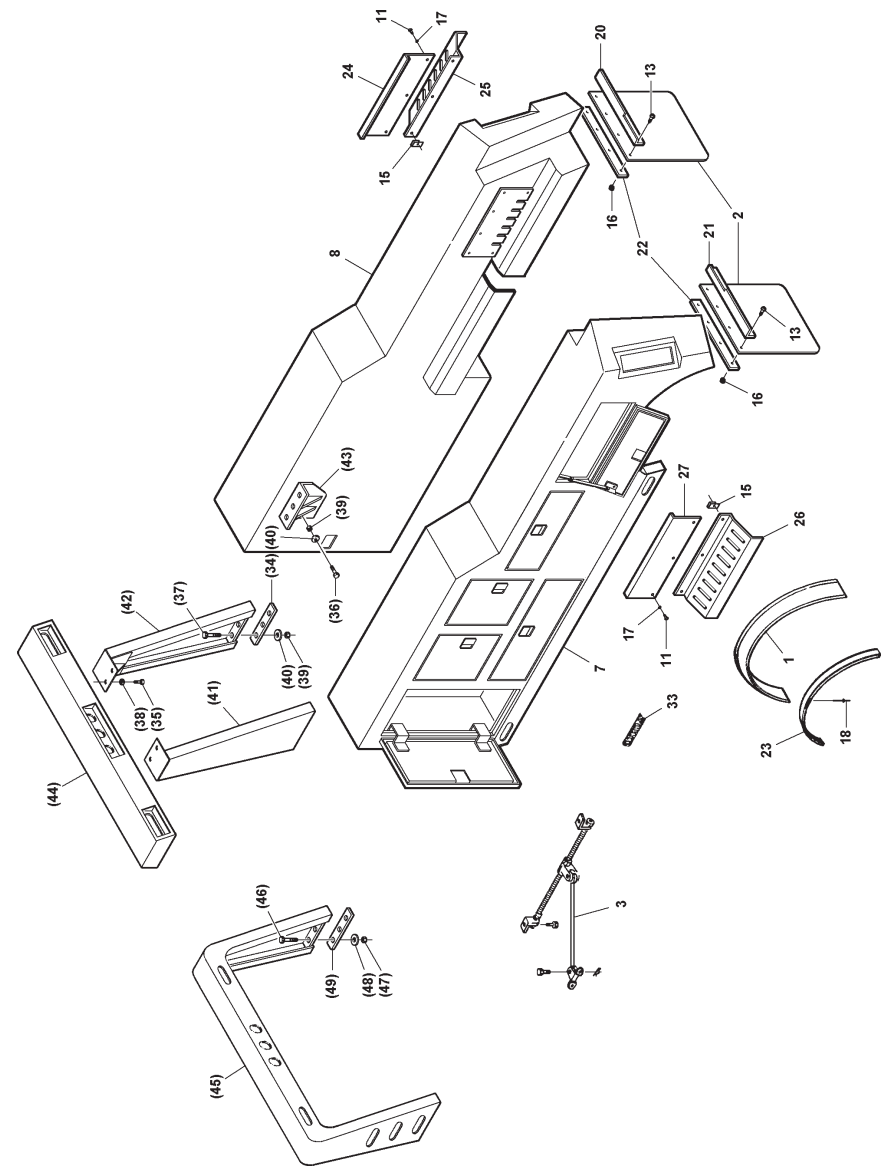


Section VI - PARTS (cont'd)
STANDARD BODY ASSEMBLY - 5130

REF. NO.	NO. REQ'D	PART NUMBER	DESCRIPTION
1	14 FT.	0300345	RUBBER FENDER
2	2	0301223	MUDFLAP
3	6	0301912	DOOR CHECK, 11"
4	7 FT.	0303056	"D" GASKET (NOT SHOWN)
5	1	0303061	BACKUP ALARM (NOT SHOWN)
6	1	0306834	TOOL BOX, 156" C.A. LT STEEL SINGLE
7	1	0306835	TOOL BOX, 156" C.A. RT STEEL SINGLE
8	6	0400005	SCREW, #6-32 X 1/2" RD HD PH
9	6	0400061	SCREW, 1/4"-20 X 3/4" MACH
10	6	0400066	SCREW, 1/4"-20 X 3/4" HEX HD CAP
11	8	0400101	SCREW, 5/16"-18 X 1" RD HD MACH
12	8	0400122	SCREW, 3/8"-16 X 1-1/4" HEX HD CAP
13	3	0400367	NUT, 1/4"-20 NYLOK HEX
14	6	0400369	CLIP, 1/4" TINNERMAN
15	8	0400392	NUT, 3/8"-16 NYLOK HEX
16	6	0400451	WASHER, 1/4" FLAT
17	40	0400566	RIVET, 1/4"
18	6	0402094	NUT, #6-32 HEX
19	1	0705090	MUDFLAP MTG ANGLE, LEFT
20	1	0705091	MUDFLAP MTG ANGLE, RIGHT
21	2	0705092	BAR, MUDFLAP
22	2	0706609	RETAINING STRIP, RUBBER FENDER
23	1	0711289	PANEL, SWITCH
24	1	0711290	PANEL, CONTROL
25	1	0711292	PANEL, CONTROL
26	1	0711344	PANEL, GAUGE
27	4	0713171	SPACER PLATE, STEEL (NOT SHOWN)
28	2	0714176	GASKET, BASE ANGLE (NOT SHOWN)
29	2	0714177	GASKET (NOT SHOWN)
30	1	0901496	CENTURY NAMEPLATE KIT
--	6	0400035	SCREW, #10-24 X 1/2" OVAL HD SS
--	2	0500406	CENTURY NAMEPLATE
31	--	0902328	BODY MOUNTING KIT (NOT SHOWN)
--	2	0707174	ANGLE, TAILGATE MOUNTING
--	2	0707175	MOUNTING PLATE
--	2	0711256	MOUNTING PLATE
--	2	0711286	SPACER, REAR FRAME BRACKET

REF. NO.	NO. REQ'D	PART NUMBER	DESCRIPTION
32	--	0904217	BODY MOUNTING HARDWARE (NOT SHOWN)
--	34	0400288	SCREW, 3/4"-10 X 2-1/2" HEX HD CAP
--	4	0400303	SCREW, 7/8"-9 X 2-1/2" HEX HD CAP
--	34	0400431	NUT, 3/4"-10 NYLOK HEX
--	4	0400436	NUT, 7/8"-9 NYLOK HEX
33	--	0907043	KIT, TOOL BOX HOLE PLUG (NOT SHOWN)
--	8	0307052	RUBBER WASHER
--	4	0400201	SCREW, 1/2"-13 X 1-1/2" CRGBLT
--	4	0400407	NUT, 1/2"-13 HEX
--	4	0400491	LOCKWASHER, 1/2" HELICAL
--	4	0400492	WASHER, 1/2" FLAT
--	4	0400506	WASHER, 5/8" FLAT
--	--	124001720	LIGHT BAR, STANDARD
34	2	0301706	GASKET, LIGHT BAR
35	4	0400126	SCREW, 3/8"-16 X 1" HEX HD CAP
36	12	0400177	SCREW, 1/2"-13 X 1-1/4" HEX HD CAP
37	6	0400181	SCREW, 1/2"-13 X 1-1/2" HEX HD CAP
38	4	0400392	NUT, 3/8"-16 NYLOK HEX
39	18	0400408	NUT, 1/2"-13 NYLOK HEX
40	12	0400492	WASHER, 1/2" FLAT
41	1	0802224	SUPPORT, L.H. VERTICAL
42	1	0802225	SUPPORT, R.H. VERTICAL
43	2	0802226	MOUNTING BRACKET
44	1	0802260	TOP CHANNEL
--	--	124001708	AERODYNAMIC LIGHT PYLON
45	1	0302562	LIGHT RACK
46	6	0400157	SCREW, 3/8"-16 X 1-3/4" HEX HD CAP
47	6	0400392	NUT, 3/8"-16 NYLOK HEX
48	6	0400480	WASHER, 3/8" FLAT
49	2	0706972	LIGHT PYLON, MOUNTING RUBBER

Section VI - PARTS (cont'd) STANDARD BODY ASSEMBLY - 5230



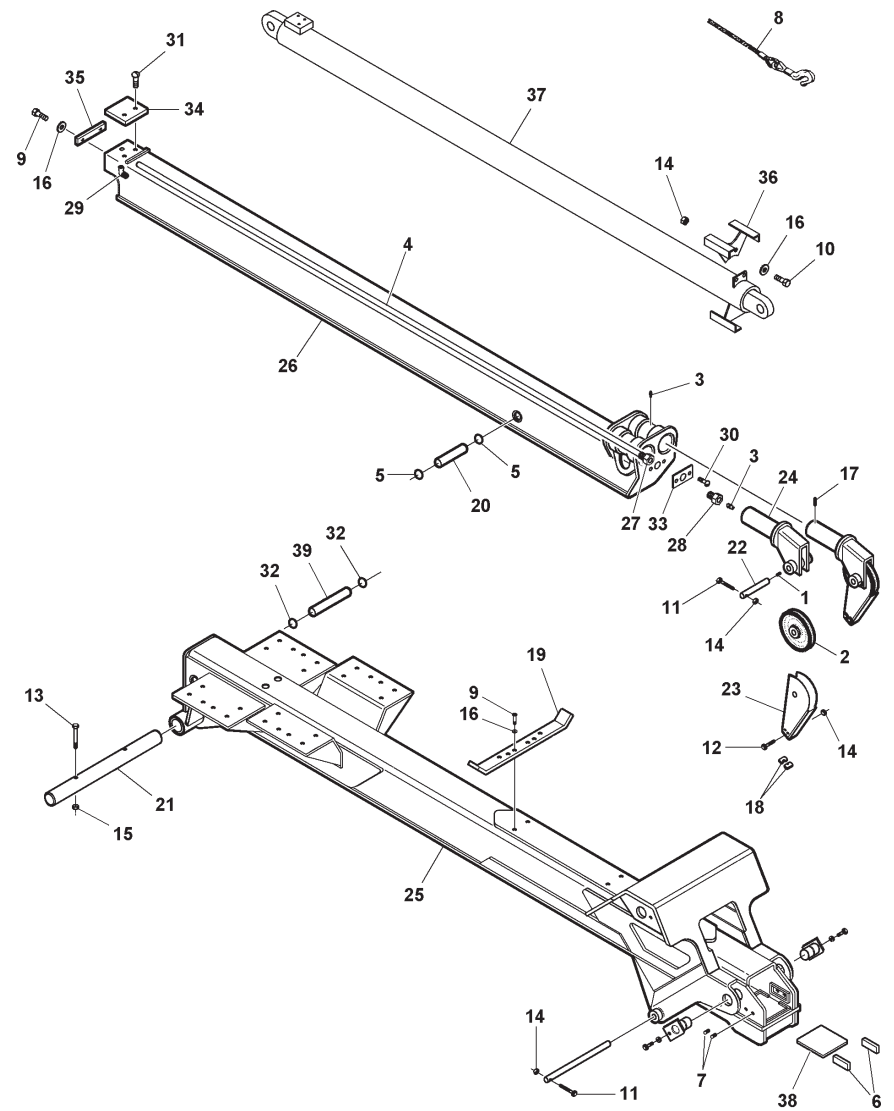
Section VI - PARTS (cont'd)
STANDARD BODY ASSEMBLY - 5230

REF. NO.	NO. REQ'D	PART NUMBER	DESCRIPTION
1	28 FT.	0300345	RUBBER FENDER
2	2	0301223	MUDFLAP
3	6	0301912	DOOR CHECK, 11"
4	7 FT.	0303056	"D" GASKET (NOT SHOWN)
5	1	0303061	BACKUP ALARM (NOT SHOWN)
6	113 FT.	0306553	DOOR SEAL (NOT SHOWN)
7	1	0306790	TOOL BOX, 156" C.B. LT ALUM TANDEM
8	1	0306791	TOOL BOX, 156" C.B. RT ALUM TANDEM
9	6	0400005	SCREW, #6-32 X 1/2" RD HD PH
10	6	0400061	SCREW, 1/4"-20 X 3/4" MACH
11	6	0400066	SCREW, 1/4"-20 X 3/4" HEX HD CAP
12	8	0400101	SCREW, 5/16"-18 X 1" RD HD MACH
13	8	0400122	SCREW, 3/8"-16 X 1-1/4" HEX HD CAP
14	3	0400367	NUT, 1/4"-20 NYLOK HEX
15	6	0400369	CLIP, 1/4" TINNERMAN
16	8	0400392	NUT, 3/8"-16 NYLOK HEX
17	6	0400451	WASHER, 1/4" FLAT
18	76	0400566	RIVET, 1/4"
19	6	0402094	NUT, #6-32 HEX
20	1	0708809	MUDFLAP MTG ANGLE, RT
21	1	0708810	MUDFLAP MTG ANGLE, LT
22	2	0705092	BAR, MUDFLAP
23	4	0706609	RETAINING STRIP, RUBBER FENDER
24	1	0711289	PANEL, SWITCH
25	1	0711290	PANEL, CONTROL
26	1	0711292	PANEL, CONTROL
27	1	0711344	PANEL, GAUGE
28	2	0710502	MOUNTING PLATE (NOT SHOWN)
29	4	0713170	SPACER PLATE, ALUMINUM (NOT SHOWN)
30	2	0714176	GASKET, BASE ANGLE (NOT SHOWN)
31	2	0714177	GASKET (NOT SHOWN)
32	1	0803036	CROSSMEMBER, ALUMINUM BODY (NOT SHOWN)
33	1	0901496	CENTURY NAMEPLATE KIT
--	6	0400035	SCREW, #10-24 X 1/2" OVAL HD SS
--	2	0500406	CENTURY NAMEPLATE

REF. NO.	NO. REQ'D	PART NUMBER	DESCRIPTION
34	--	0902328	BODY MOUNTING KIT (NOT SHOWN)
--	2	0707174	ANGLE, TAILGATE MOUNTING
--	2	0707175	MOUNTING PLATE
--	2	0711256	MOUNTING PLATE
--	2	0711286	SPACER, REAR FRAME BRACKET
35	--	0904217	BODY MOUNTING HARDWARE (NOT SHOWN)
--	34	0400288	SCREW, 3/4"-10 X 2-1/2" HEX HD CAP
--	4	0400303	SCREW, 7/8"-9 X 2-1/2" HEX HD CAP
--	34	0400431	NUT, 3/4"-10 NYLOK HEX
--	4	0400436	NUT, 7/8"-9 NYLOK HEX
36	--	0904353	CHAIN RACK, ALUMINUM BODY (NOT SHOWN)
--	3	0400133	SCREW, 3/8"-16 X 3" HEX HD CAP
--	3	0400392	NUT, 3/8"-16 NYLOK HEX
--	1	0803768	CHAIN HANGER WELDMENT
37	--	0906256	TRAY KIT (NOT SHOWN)
--	3	0400105	SCREW, 5/16"-18 X 1-1/4" SELF TAP
--	2	0400133	SCREW, 3/8"-16 X 3" HEX HD CAP
--	2	0400392	NUT, 3/8"-16 NYLOK HEX
--	2	0400480	WASHER, 3/8" FLAT
--	1	0804229	TRAY WELDMENT
38	--	0907043	KIT, TOOL BOX HOLE PLUG (NOT SHOWN)
--	8	0307052	RUBBER WASHER
--	4	0400201	SCREW, 1/2"-13 X 1-1/2" CRGBLT
--	4	0400407	NUT, 1/2"-13 HEX
--	4	0400491	LOCKWASHER, 1/2" HELICAL
--	4	0400492	WASHER, 1/2" FLAT
--	4	0400506	WASHER, 5/8" FLAT
39	--	124001720	LIGHT BAR, STANDARD (REFER TO PAGE VI-4 & VI-5)
40	--	124001708	AERODYNAMIC LIGHT PYLON (REFER TO PAGE VI-4 & VI-5)

Section VI - PARTS (cont'd)

RECOVERY BOOM ASSEMBLY



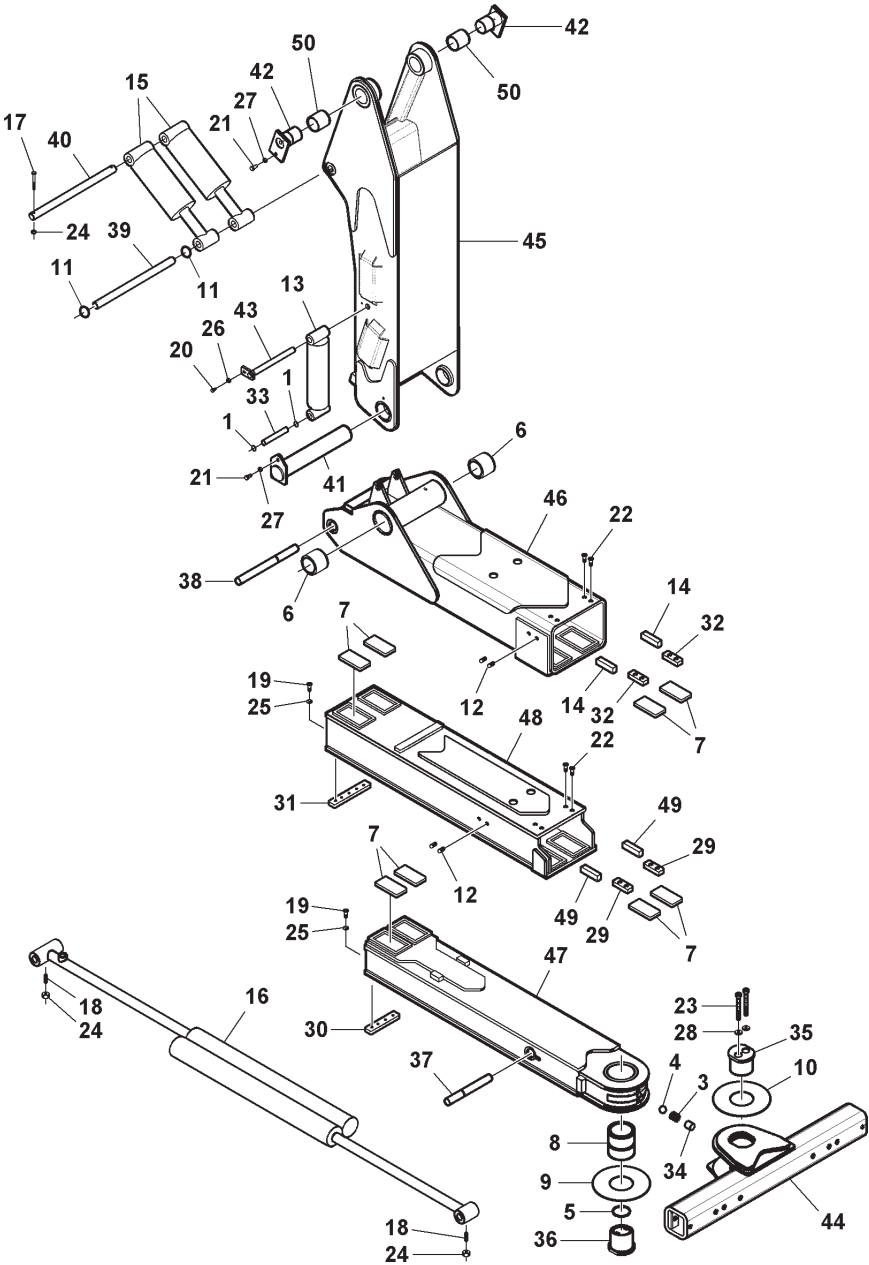
Section VI - PARTS (cont'd)

RECOVERY BOOM ASSEMBLY

REF. NO.	NO. REQ'D	PART NUMBER	DESCRIPTION
1	4	0300113	GREASE FITTING
2	2	0300626	SHEAVE, 8"
3	3	0301895	GREASE FITTING, STR 1/8"
4	14 FT.	0301949	SYNFLEX HOSE, 3/8"
5	2	0301959	SNAP RING, 1-1/2" INTERNAL
6	2	0303490	WEAR PAD
7	8	0306585	PIPE PLUG, 4 AL PLUG
8	2	0306899	WIRE ROPE, 5/8" X 200' 6x37 IWRC XIPS
9	5	0400121	SCREW, 3/8"-16 X 3/4" HEX HD CAP
10	2	0400132	SCREW, 3/8"-16 X 1-1/2" HEX HD CAP
11	2	0400133	SCREW, 3/8"-16 X 3" HEX HD CAP
12	4	0400150	SCREW, 3/8"-16 X 2-1/2" HEX HD CAP
13	1	0400220	SCREW, 1/2"-13 X 5-1/2" HEX HD CAP
14	10	0400392	NUT, 3/8"-16 NYLOK HEX
15	1	0400408	NUT, 1/2"-13 NYLOK HEX
16	12	0400482	LOCKWASHER, 3/8" HELICAL
17	6	0400554	ROLL PIN, 3/8" X 1"
18	4	0700801	CABLE GUIDE, BOTTOM
19	1	0705104	PLATE, WINCH CABLE SUPPORT
20	1	0707580	PIN
21	1	0715953	PIVOT PIN, BOOM
22	2	0716134	SHAFT, SHEAVE
23	2	0800286	CABLE GUIDE
24	2	0804448	SWIVEL WELDMENT
25	1	0805876	OUTER BOOM WELDMENT
26	1	0805878	INNER BOOM WELDMENT
27	1	9012549	CONNECTOR, 3/8" TUBE X 1/8" NPT
28	1	9012552	BULKHEAD COUPLING, 1/8"
29	1	9012584	ELBOW, 1/4" NPT X 3/8" TUBE 90
30	2	9043827	SCREW, #10-32 X 5/8" PAN HD PH HD
31	2	9044434	SCREW, 3/8"-16 X 1" FL SKT HD
32	2	9056150	RETAINING RING, 1-1/2"
33	1	9403411	LUBRICATOR MOUNTING PLATE
34	1	915030004	WEAR PAD, UPPER
35	1	915040001	PAD RETAINING PLATE, UPPER PAD
36	1	915040400	SPIDER CLAMP WELDMENT, TOP
37	REF.	915715000	EXTEND CYLINDER
38	1	916040004	WEAR PAD, LOWER
39	1	916350001	PIN, EXTEND CYLINDER
40	2	DE1381	1/2 WASHER

Section VI - PARTS (cont'd)

UNDERLIFT & TOWER ASSEMBLY

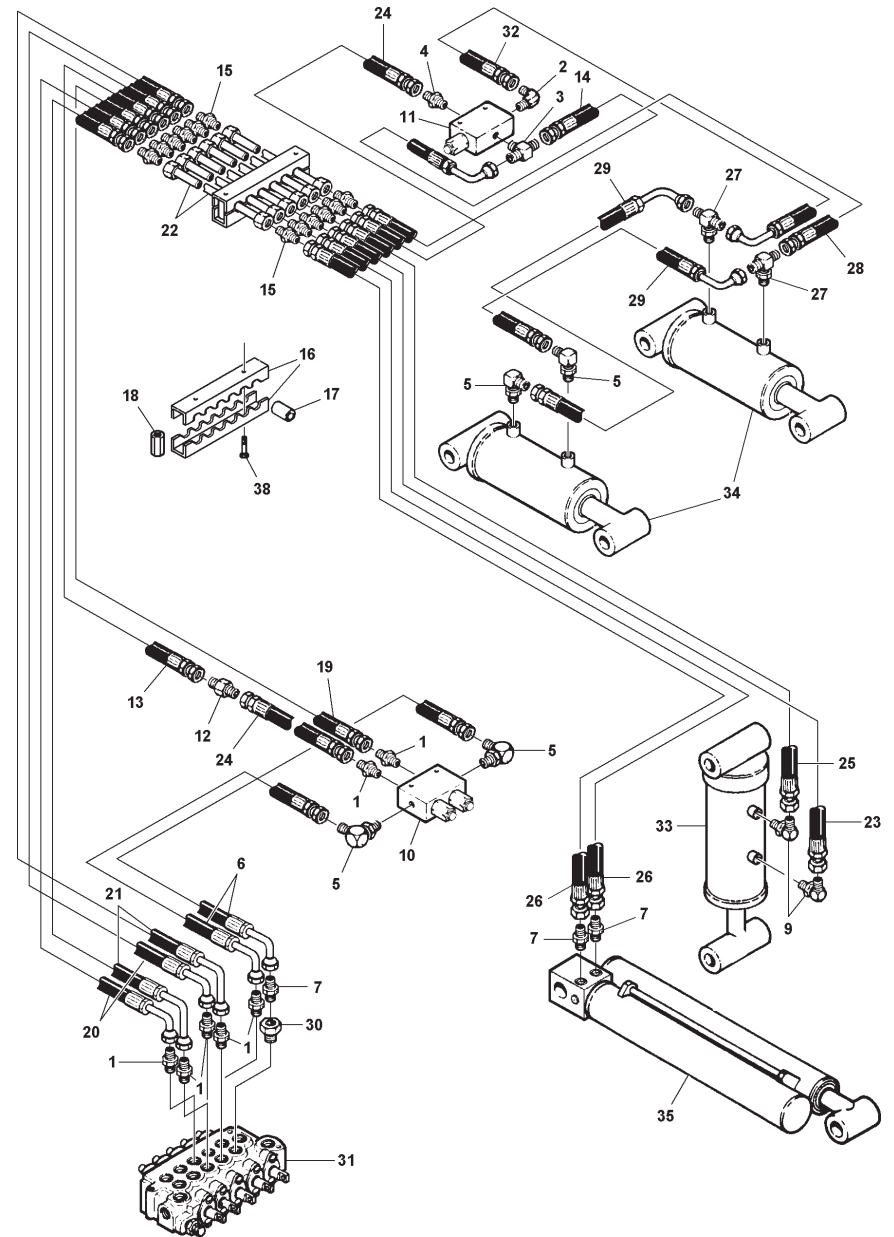


Section VI - PARTS (cont'd)
UNDERLIFT & TOWER ASSEMBLY

REF. NO.	NO. REQ'D	PART NUMBER	DESCRIPTION
1	2	0300110	SNAP RING 1"
2	14	0300113	GREASE FITTING
3	1	0301197	COMPRESSION SPRING, CROSS BAR
4	1	0301398	DETENT BALL, 1-3/16"
5	1	0301822	"O" RING, PIVOT PIN
6	2	0302538	SPRING BUSHING
7	8	0302561	SLIDE PAD
8	1	0303088	BUSHING, PIVOT PIN
9	1	0303097	THRUST WASHER, 1/8"
10	1	0303098	THRUST WASHER, 1/16"
11	2	0303827	SNAP RING 1-1/4"
12	8	0306585	PIPE PLUG, 4 AL PLUG
13	1	0306746	FOLD CYLINDER
14	2	0307013	WEAR PAD
15	2	0307040	TILT CYLINDER
16	1	0307041	EXTEND CYLINDER
17	4	0400133	SCREW, 3/8"-16 X 3" HEX HD CAP
18	2	0400139	SCREW, 3/8"-16 X 1-1/2" HEX SKT SET
19	4	0400147	SCREW, 3/8"-24 X 5/8" HEX HD CAP
20	6	0400151	SCREW, 3/8"-24 X 3/4" HEX HD CAP
21	2	0400176	SCREW, 1/2"-13 X 1" HEX HD CAP
22	8	0400228	SCREW, 3/8"-24 X 5/8" BUTTON HD SKT
23	2	0400271	SCREW, 5/8"-11 X 4-1/2" SKT HD CAP
24	8	0400392	NUT, 3/8"-16 NYLOK HEX
25	10	0400481	LOCKWASHER, 3/8" EXTERNAL TOOTH
26	1	0400482	LOCKWASHER, 3/8" HELICAL
27	2	0400491	LOCKWASHER, 1/2" HELICAL
28	2	0400508	LOCKWASHER, 5/8" HELICAL

REF. NO.	NO. REQ'D	PART NUMBER	DESCRIPTION
29	2	0706995	BOLT-ON SPACER PAD
30	1	0706996	SPACER PAD
31	1	0707028	BOLT-ON BEARING PAD
32	4	0707034	STOP PLATE
33	1	0707179	PIN, FOLD CYLINDER ROD END
34	1	0708470	SPACER, DETENT BALL SPRING
35	1	0710051	PIVOT PIN, TOP HALF
36	1	0710052	PIVOT PIN, BOTTOM HALF
37	1	0716745	SHAFT, EXTEND CYLINDER (ROD)
38	1	0716746	SHAFT, EXTEND CYLINDER (BASE)
39	1	0716763	SHAFT, TILT CYLINDER
40	1	0716870	SHAFT, TILT CYLINDER
41	1	0802214	PIN, UNDERLIFT PIVOT
42	2	0802365	TOWER PIVOT PIN WELDMENT
43	1	0802459	PIN, FOLD CYLINDER BASE
44	1	0802914	CROSSBAR WELDMENT
45	1	0805884	TOWER WELDMENT
46	1	0805885	3RD STAGE BOOM WELDMENT
47	1	0805894	OUTER BOOM WELDMENT
48	1	0805895	2ND STAGE BOOM WELDMENT
49	2	BK2003	WEAR PAD
50	2	RB0205	SPLIT, BUSHING
--	--	0906572	KIT, WINCH CABLE STOW (NOT SHOWN)
51	2	0400265	SCREW, 5/8"-11 X 4" HEX HD CAP
52	2	0400421	NUT, 5/8"-11 NYLOK HEX
53	2	9048800	WELDLESS CHAIN LINK, 5/8"
54	2	945030007	CABLE TIE-BACK SPRING

Section VI - PARTS (cont'd) UNDERLIFT HYDRAULICS



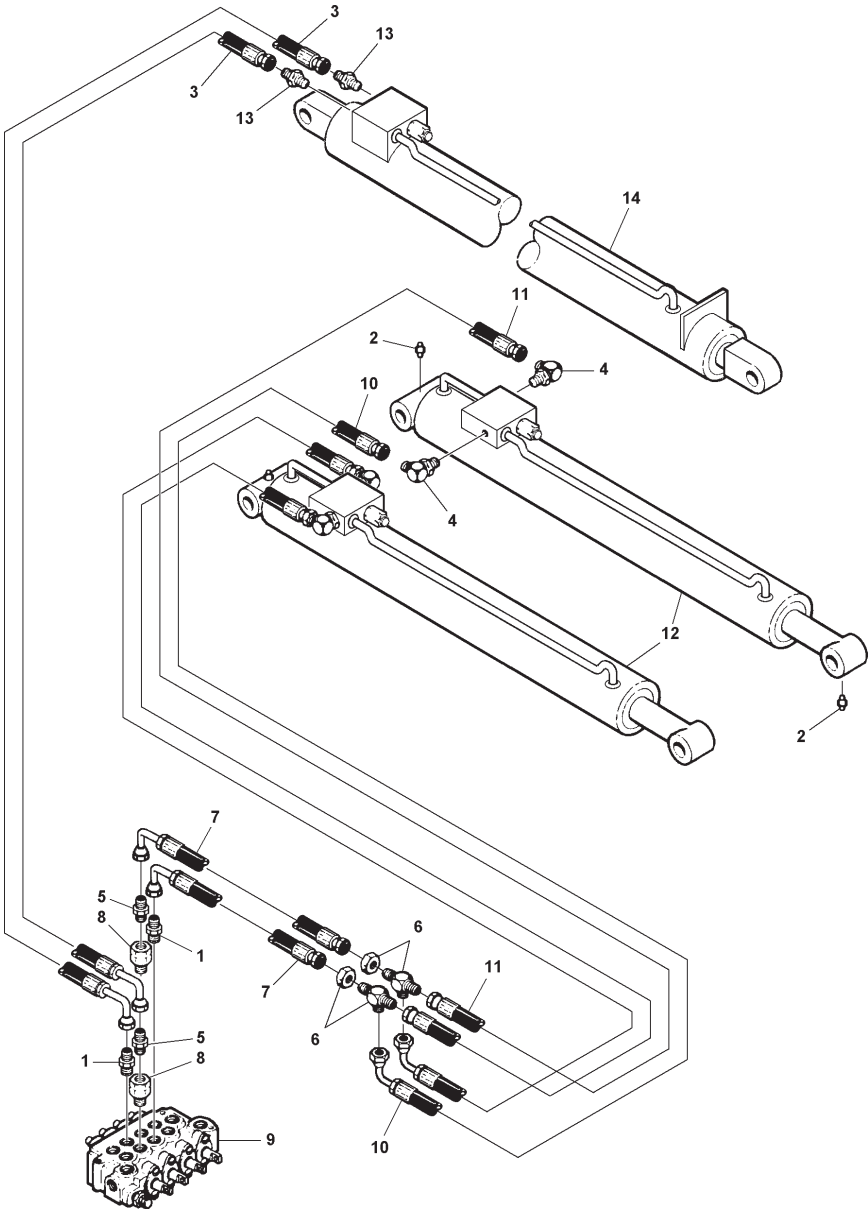
Section VI - PARTS (cont'd)

UNDERLIFT HYDRAULICS

REF. NO.	NO. REQ'D	PART NUMBER	DESCRIPTION
1	7	0300044	CONNECTOR, 6MJ-8MB
2	1	0300142	ELBOW, 6MJ-4MP90
3	1	0300206	BRANCH TEE, 6MJ-6MJ-4MP
4	1	0301425	CONNECTOR, 6MJ-6MP
5	4	0301470	ELBOW, 6MJ-8MP90
6	2	0301473	HOSE ASSEMBLY, 18"
7	3	0301522	CONNECTOR, 6MJ-6MB
8	4	0301601	HOSE CLAMP, INSULATED 5/8"
9	2	0301620	ELBOW, 6MJ-6MB90
10	1	0301730	DOUBLE HOLDING VALVE
11	1	0301731	HOLDING VALVE
12	1	0301837	IN-LINE ORIFICE
13	1	0302000	HOSE ASSEMBLY, 24"
14	1	0302035	HOSE ASSEMBLY, 18"
15	12	0302514	ADAPTER, 8MJ-6MJ
16	6	0302548	CLAMPING UNIT
17	18	0302549	SPLIT BUSHING, 1/2"
18	6	0302551	STACKING NUT, SKT HD
19	1	0302596	HOSE ASSEMBLY, 34"
20	2	0302604	HOSE ASSEMBLY, 44"
21	2	0302605	HOSE ASSEMBLY, 44"
22	6	0302624	TUBE ASSEMBLY
23	1	0302637	HOSE ASSEMBLY, 72"
24	2	0302805	HOSE ASSEMBLY, 10"
25	1	0302812	HOSE ASSEMBLY, 108"
26	2	0302813	HOSE ASSEMBLY, 108"
27	2	0302842	TEE, 8MJ-8MJ-8MB
28	1	0302914	HOSE ASSEMBLY, 32"
29	2	0302915	HOSE ASSEMBLY, 18"
30	1	0303017	CONNECTOR, 8MB-6FB
31	1	0303094	CONTROL VALVE, VDP11CDDDC53
32	1	0303561	HOSE ASSEMBLY, 18"
33	1	0306746	FOLD CYLINDER
34	2	0307040	TILT CYLINDER
35	1	0307041	EXTEND CYLINDER
36	4	0400078	SCREW, 1/4"-20 X 2" HEX HD CAP
37	4	0400367	NUT, 1/4"-20 NYLOK HEX
38	6	0400078	SCREW, 5/16"-18 X 3/4" HEX HD CAP
39	4	0402110	WASHER, 1/4" FLAT
40	1	0703001	BRACKET, CHECK VALVE MOUNTING

Section VI - PARTS (cont'd)

RECOVERY BOOM HYDRAULICS



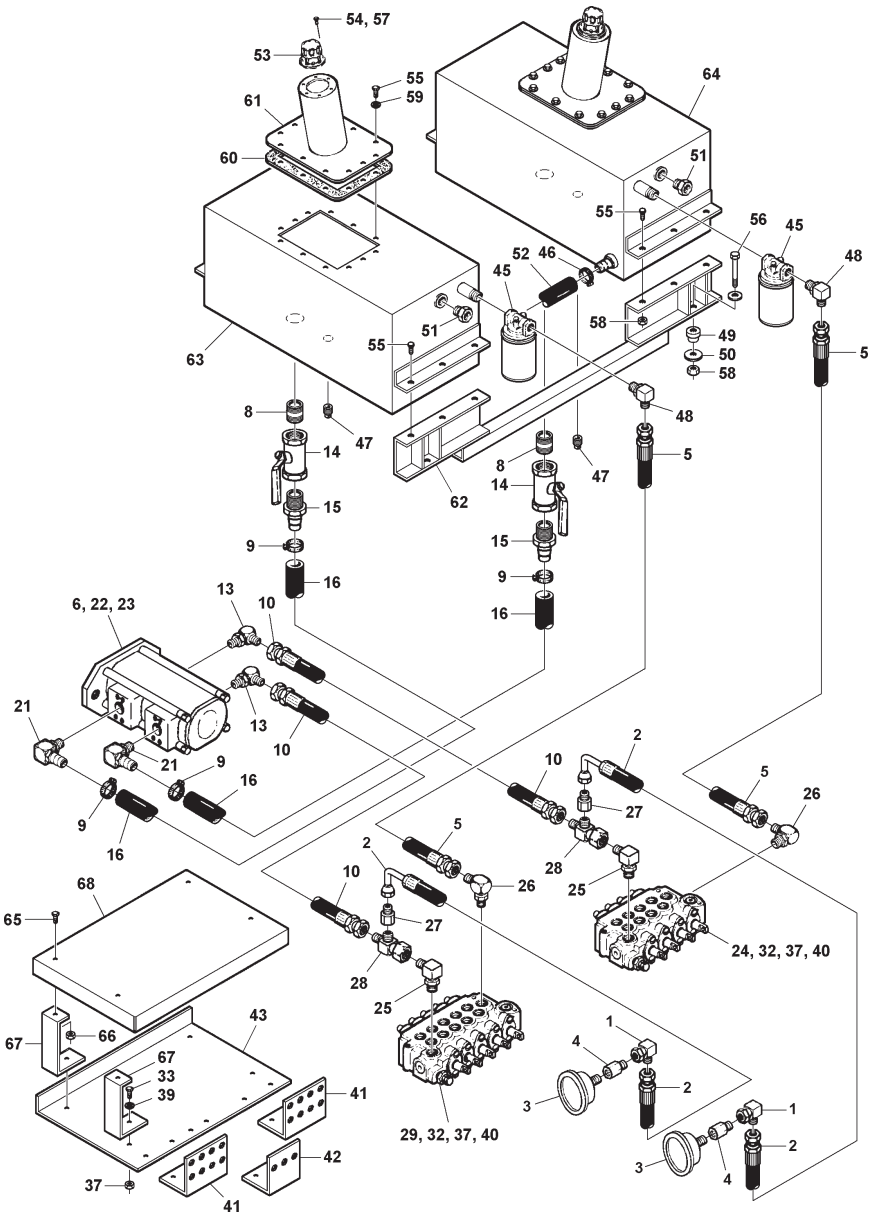
Section VI - PARTS (cont'd)

RECOVERY BOOM HYDRAULICS

REF. NO.	NO. REQ'D	PART NUMBER	DESCRIPTION
1	2	0300044	CONNECTOR, 6MJ-8MB
2	4	0300113	GREASE FITTING
3	2	0301207	HOSE ASSEMBLY, 72"
4	4	0301470	ELBOW, 6MJ-8MB90
5	2	0301522	CONNECTOR, 6MJ-6MB
6	2	0302575	BULKHEAD RUN TEE W/NUT
7	2	0302585	HOSE ASSEMBLY, 54"
8	2	0303017	CONNECTOR, 8MB-6FB
9	1	0303093	CONTROL VALVE, VDP11DDDC110
10	2	0303389	HOSE ASSEMBLY, 46"
11	2	0303394	HOSE ASSEMBLY, 46"
12	2	0307012	CYLINDER, BOOM LIFT
13	2	9013020	CONNECTOR, 8MJ-6MB
14	1	915715000	CYLINDER, EXTEND

Section VI - PARTS (cont'd)

PUMP, VALVE & FILTER HYDRAULICS



Section VI - PARTS (cont'd)

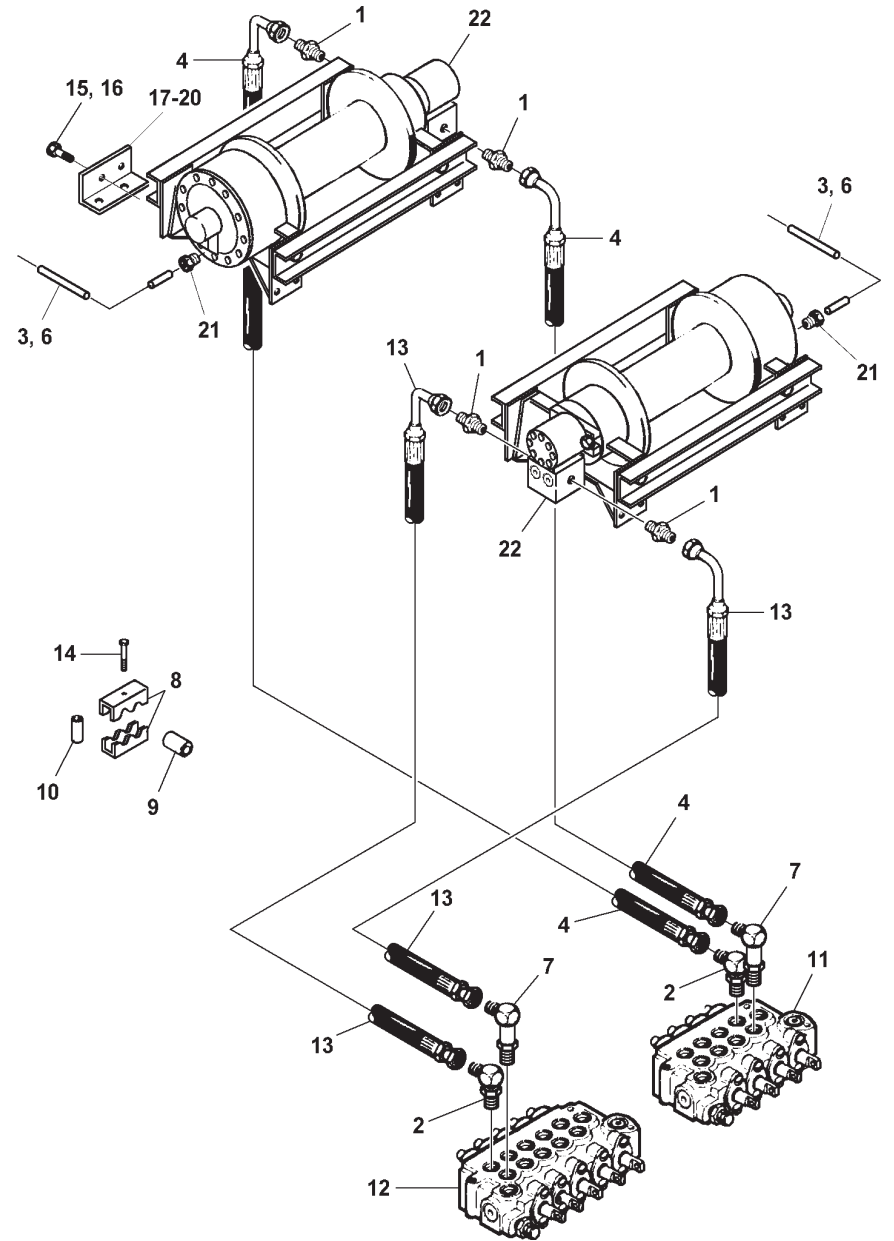
PUMP, VALVE & FILTER HYDRAULICS

REF. NO.	NO. REQ'D	PART NUMBER	DESCRIPTION
1	2	0301696	ELBOW, 6MJ-6FJX90
2	2	0301965	HOSE ASSEMBLY, 131"
3	2	0302205	GAUGE, FLUSH MOUNT 6000 PSI
4	2	0302577	CONNECTOR, 6MJ-4FP
5	2	0303392	HOSE ASSEMBLY, 73"
6	1	0303867	PUMP, BI-ROTATIONAL
7	6	0711438	HOSE BRACKET (NOT SHOWN)
--	--	0904548	PUMP KIT
8	2	0300348	PIPE NIPPLE, 1-1/2" X 5"
9	6	0300364	CLAMP HOSE, 1" - 2-1/4"
10	2	0300660	HOSE ASSEMBLY, 120"
11	2	0300865	CONNECTOR, 8MJ-8MJ (NOT SHOWN)
12	2	0301529	HOSE ASSEMBLY, 58" (NOT SHOWN)
13	2	0301547	ELBOW, 8MJ-12MB90
14	2	0302088	BALL VALVE, BRONZE
15	2	0302698	HOSE BARB, 20HOSE-20MP
16	24 FT.	0302756	SUCTION HOSE, 1-1/4"
17	2	0302906	ADAPTER, 16MB-12FB (NOT SHOWN)
18	2	0302983	STREET ELBOW, 45° 1-1/2" (NOT SHOWN)
19	12	0303290	CLAMP, 2-1/2" INSULATED (NOT SHOWN)
20	2	0303463	BUSHING, 24MP-20FP (NOT SHOWN)
21	2	0306539	HOSE BARB, 20HOSE-16MB90
22	4	0400181	SCREW, 1/2"-13 X 1-1/2" HEX HD CAP
23	4	0400491	LOCKWASHER, 1/2" HELICAL
--	--	0903536	VALVE PAN ASSEMBLY
24	1	0303093	CONTROL VALVE, VDP11DDDC110
25	2	0300052	ELBOW, 8MJ-10MB90
26	2	0301545	ELBOW, 12MJ-12MB90
27	2	0301995	STRAIGHT ADAPTER, 8FJ-6MJ
28	2	0302052	RUN TEE, 8MJ-8FJX-8MJ
29	1	0303094	CONTROL VALVE, VDP11CDDDC53
30	2	0400078	SCREW, 1/4"-20 X 2" HEX HD CAP
31	9	0400109	SCREW, 5/16"-18 X 1" HEX HD CAP
32	6	0400135	SCREW, 3/8"-16 X 4-1/2" HEX HD CAP
33	8	0400157	SCREW, 3/8"-16 X 1-3/4" HEX HD CAP
34	2	0400367	NUT, 1/4"-20 NYLOK HEX

REF. NO.	NO. REQ'D	PART NUMBER	DESCRIPTION
35	2	0400382	NUT, 5/16"-18 NYLOK HEX
36	2	0400384	NUT, 5/16"-24 NYLOK HEX
37	12	0400392	NUT, 3/8"-16 NYLOK HEX
38	2	0400451	WASHER, 1/4" FLAT
39	4	0400480	WASHER, 3/8" FLAT
40	6	0704045	SPACER, CONTROL VALVE
41	2	0711249	PLATE, CONTROL BULKHEAD
42	1	0711250	PLATE, CONTROL BULKHEAD
43	1	0711561	PLATE VALVE MOUNTING
44	1	0711696	PLATE VALVE MOUNTING
--	--	0904199	RESERVOIR ASSEMBLY
45	2	0300136	RETURN LINE FILTER ASSEMBLY
46	2	0300364	CLAMP HOSE, 1" - 2-1/4"
47	2	0300446	PIPE PLUG, 3/4" NPT MALE
48	2	0300615	ELBOW, 12MJ-12MP90
49	4	0302227	CENTER BONDED MOUNT
50	4	0302228	SPECIAL WASHER
51	2	0302570	SIGHT GAUGE
52	2.25 FT.	0302756	SUCTION HOSE, 1-1/4"
53	2	0305006	FILLER CAP
54	12	0400036	SCREW, #10-32 X 1" RD HD MACH
55	32	0400122	SCREW, 3/8"-16 X 1-1/4" HEX HD CAP
56	4	0400150	SCREW, 3/8"-16 X 2-1/2" HEX HD CAP
57	12	0400357	NUT, #10-32 NYLOK HEX
58	12	0400392	NUT, 3/8"-16 NYLOK HEX
59	24	0400482	LOCKWASHER, 3/8" HELICAL
60	2	0706114	GASKET, CLEAN OUT & FILLER COVER
61	2	0802747	FILLER PIPE WELDMENT
62	2	0803193	RESERVOIR SUPPORT WELDMENT
63	1	0803662	RESERVOIR WELDMENT, LEFT
64	1	0804109	RESERVOIR WELDMENT, RIGHT
--	--	0903547	COVER KIT
65	4	0400121	SCREW, 3/8"-16 X 3/4" HEX HD CAP
66	4	0400392	NUT, 3/8"-16 NYLOK HEX
67	4	0711321	SUPPORT, COVER
68	1	0711322	COVER, VALVE

Section VI - PARTS (cont'd)

WINCH HYDRAULICS & AIR FREE SPOOL



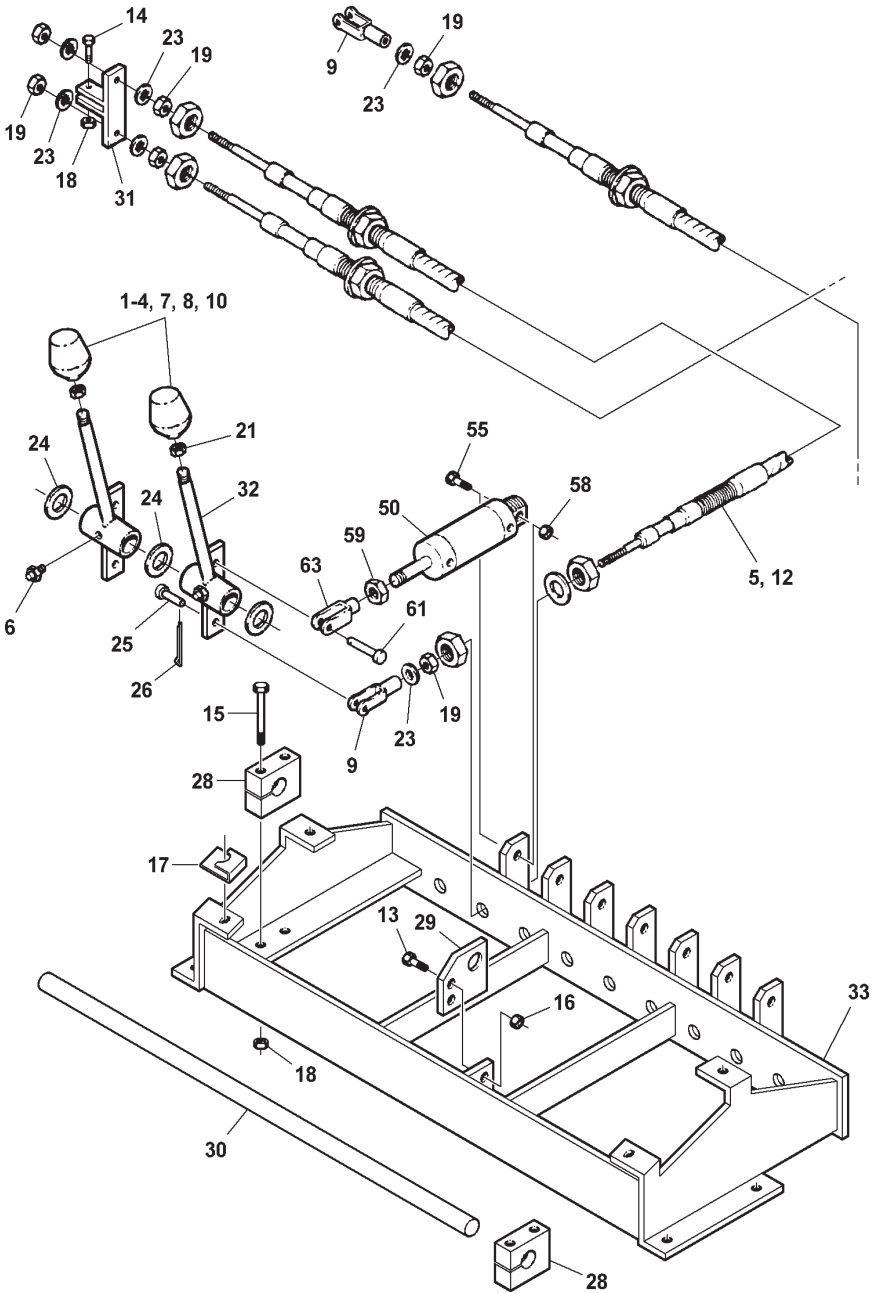
Section VI - PARTS (cont'd)

WINCH HYDRAULICS & AIR FREE SPOOL

REF. NO.	NO. REQ'D	PART NUMBER	DESCRIPTION
1	4	0300041	CONNECTOR, 8MJ-8MB
2	2	0301388	ELBOW, 8MJ-8MB90
3	40 FT.	0301577	AIR HOSE, 1/4" O.D.
4	2	0301893	HOSE ASSEMBLY, 84"
5	35	0302434	CABLE TIE, 4" (NOT SHOWN)
6	40 FT.	0302495	CONVOLUTED LOOM, 1/4"
7	2	0302508	ELBOW, 8MJ-8MB90LL
8	4	0302546	CLAMPING UNIT
9	4	0302550	SPLIT BUSHING, 3/4"
10	2	0302551	STACKING NUT, SKT HD
11	1	0303093	CONTROL VALVE, VDP11DDDC110
12	1	0303094	CONTROL VALVE, VDP11CDDDC53
13	2	0303391	HOSE ASSEMBLY, 110"
14	2	0400118	SCREW, 5/16"-18 x 3/4" HEX HD CAP
15	16	0400262	SCREW, 5/8"-11 x 2-1/2" HEX HD CAP
16	16	0400426	NUT, 5/8"-11 HEX NYLOK
17	2	0715947	ANGLE, WINCH MOUNTING
18	2	0715948	ANGLE, WINCH MOUNTING
19	2	0715949	ANGLE, WINCH MOUNTING
20	2	0715950	ANGLE, WINCH MOUNTING
21	2	9010520	ELBOW, 4TB-4MP90
22	2	9048241	WINCH, 25K DP

Section VI - PARTS (cont'd)

LEFT CONTROL ASSEMBLY



Section VI - PARTS (cont'd)

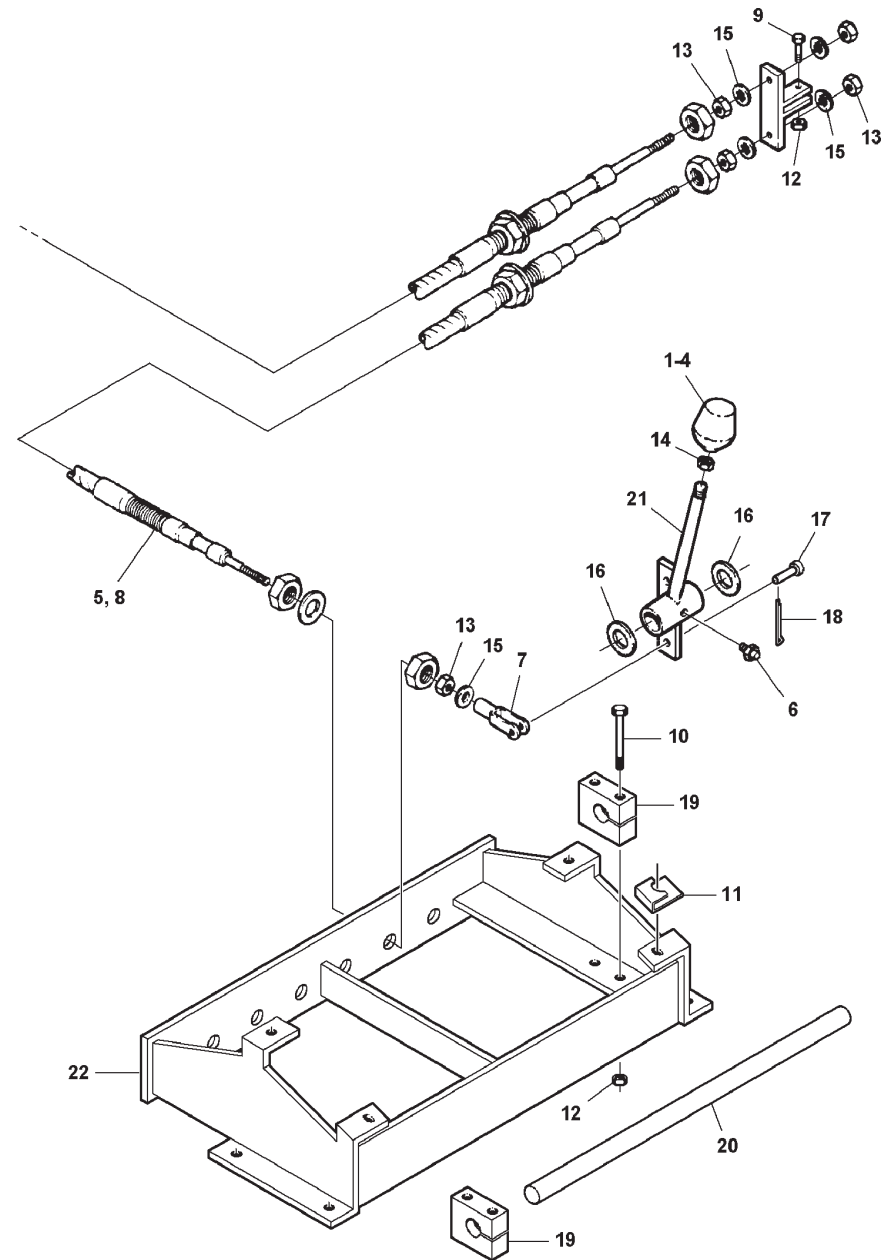
LEFT CONTROL ASSEMBLY

REF. NO.	NO. REQ'D	PART NUMBER	DESCRIPTION
1	2	0300834	CONTROL KNOB, (IN/OUT)
2	1	0300835	CONTROL KNOB, BOOM (UP/DOWN)
3	2	0300836	CONTROL KNOB, JACK (UP/DOWN)
4	1	0300837	CONTROL KNOB, BOOM (IN/OUT)
5	3	0302457	CONTROL CABLE, 104"
6	9	0302726	GREASE FITTING, 1/4"-28 X 45°
7	1	0302856	CONTROL KNOB, TILT (UP/DOWN)
8	1	0302917	CONTROL KNOB, W/L EXTEND (IN/OUT)
9	12	0303008	ADJUSTABLE CLEVIS
10	1	0303382	CONTROL KNOB, FOLD (UP/DOWN)
11	6	0303427	CONTROL CABLE, 114"
12	6	0400005	SCREW, #6-32 X 1/2" RD HD PH
13	2	0400066	SCREW, 1/4"-20 X 3/4" HEX HD CAP
14	9	0400112	SCREW, 5/16"-24 X 1-1/4" HEX HD CAP
15	4	0400107	SCREW, 5/16"-18 X 2-1/2" HEX HD CAP
16	2	0400367	NUT, 1/4"-20 HEX NYLOK
17	4	0400379	NUT, 5/16"-18 "J" TINNERMAN
18	9	0400382	NUT, 5/16"-18 HEX NYLOK
19	34	0400383	NUT, 5/16"-24 HEX
20	6	0400392	NUT, 3/8"-16 HEX NYLOK
21	9	0400393	NUT, 3/8"-16 HEX JAM
22	7	0400451	WASHER, 1/4" FLAT
23	24	0400466	WASHER, 5/16" INTERNAL TOOTH
24	9	0400512	WASHER, 3/4" FLAT (SPECIAL)
25	9	0400532	CLEVIS PIN, 5/16" X 1"
26	9	0400540	COTTER PIN, 3/32" X 1"
27	6	0402094	NUT, #6-32 HEX
28	2	0711235	CLAMP, SHAFT CONTROL BOX
29	1	0711245	PLATE, SHAFT SUPPORT
30	1	0711246	PIN, CONTROL BOX
31	6	0801054	CONTROL CABLE CONNECTOR
32	9	0803294	CONTROL HANDLE WELDMENT
33	1	0804060	LEFT CONTROL FRAME WELDMENT

REMOTE CONTROL ASSEMBLY

REF. NO.	NO. REQ'D	PART NUMBER	DESCRIPTION
--	--	--	REMOTE CONTROL ASSEMBLY
34	10 / 16	0300166	WIRE CONNECTOR, SPADE
35	1	0301574	ELBOW, 4TB-4MP90
36	15 / 25	0301577	AIR HOSE, 1/4" O.D. (FT.)
37	2 / 4	0301610	CONNECTOR, 4TB-4MP
38	2 / 3	0301618	BRASS PLUG, 4MP
39	2	0302048	CABLE SEALING GRIP
40	2	0302340	HEX PIPE BUSHING
41	1	0302431	CONVOLUTED LOOM, 3/8" X 8"
42	35 / 65	0302434	CABLE TIE, 4" 18 LB.
43	1 / 2	0302677	BREATHER VENT, 2MP
44	16 / 28	0302678	ELBOW, 4TB-2MP
45	1	0302844	AIR SOLENOID VALVE (8)
--	1	0303479	AIR SOLENOID VALVE (14)
46	1	0303226	CIRCUIT BREAKER, HI-AMP WATERPROOF
47	1 / 2	0303235	TERMINAL BLOCK
--	1	0303250	POWER PAL, 15 POSITION
48	1	0303251	POWER PAL, 8 POSITION
49	8 / 20	0303322	ELECTRICAL CABLE, 16/10 SO (FT.)
50	4 / 7	0303335	AIR CYLINDER
51	1	0303363	AIR FILTER/REGULATOR
52	1	0303364	AIR LUBRICATOR
53	1	0303365	MOUNTING BRACKET
54	2 / 4	0400025	SCREW, #8-32 X 3/4" RD HD SLOTTED
55	4 / 7	0400057	SCREW, 1/4"-20 X 1-1/4" HEX HD CAP
56	2 / 4	0400078	SCREW, 1/4"-20 X 2" HEX HD CAP
57	2 / 4	0400351	HEX NUT & STAR WASHER, #8-32
58	6 / 11	0400367	NUT, 1/4"-20 HEX NYLOK
59	4 / 7	0400401	NUT, 7/16"-20 HEX JAM
60	2 / 4	0400451	WASHER, 1/4" FLAT
61	4 / 7	0400527	CLEVIS PIN, 5/16" X 5/8" COTTERLESS
62	1	0711277	SUPPORT, SOLENOID VALVE (8)
--	1	0711836	SUPPORT, SOLENOID VALVE (14)
63	4 / 7	0803181	CLEVIS WELDMENT
64	1	HA0132	GAUGE, 0-160 PSI

Section VI - PARTS (cont'd) RIGHT CONTROL ASSEMBLY



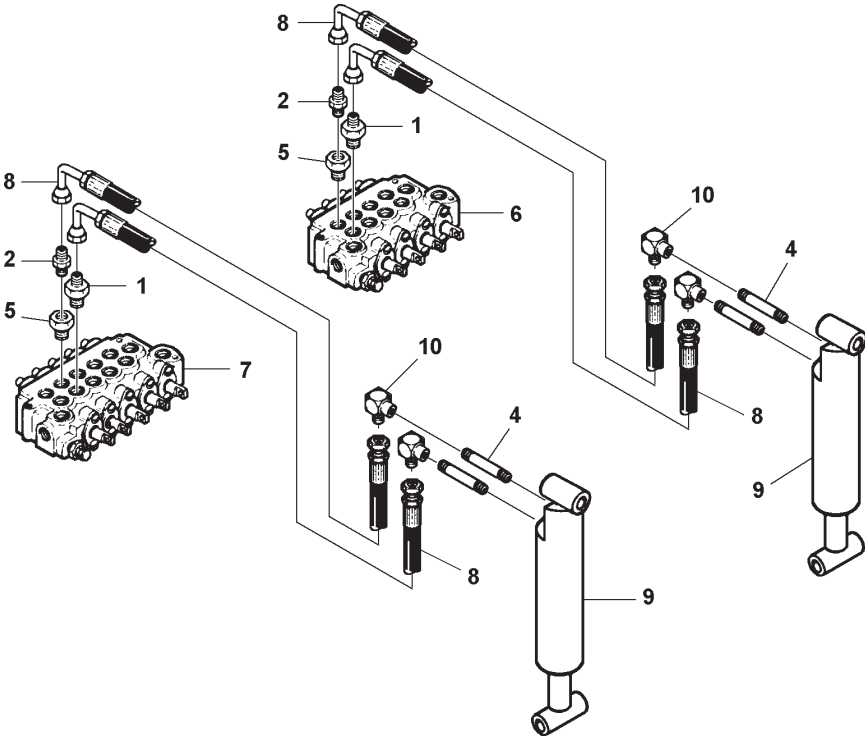
Section VI - PARTS (cont'd)

RIGHT CONTROL ASSEMBLY

REF. NO.	NO. REQ'D	PART NUMBER	DESCRIPTION
1	2	0300834	CONTROL KNOB, (IN/OUT)
2	1	0300835	CONTROL KNOB, BOOM (UP/DOWN)
3	2	0300836	CONTROL KNOB, JACK (UP/DOWN)
4	1	0300837	CONTROL KNOB, BOOM (IN/OUT)
5	2	0302457	CONTROL CABLE, 104"
6	6	0302726	GREASE FITTING, 1/4"-28 X 45°
7	6	0303008	ADJUSTABLE CLEVIS
8	4	0303427	CONTROL CABLE, 114"
9	6	0400103	SCREW, 5/16"-18 X 1-1/4" HEX HD CAP
10	4	0400107	SCREW, 5/16"-18 X 2-1/2" HEX HD CAP
11	4	0400379	NUT, 5/16"-18 "J" TINNERMAN
12	10	0400382	NUT, 5/16"-18 HEX NYLOK
13	18	0400383	NUT, 5/16"-24 HEX
14	6	0400393	NUT, 3/8"-16 HEX JAM
15	18	0400466	WASHER, 5/16" INTERNAL TOOTH
16	7	0400512	WASHER, 3/4" FLAT (SPECIAL)
17	6	0400532	CLEVIS PIN, 5/16" X 1"
18	6	0400540	COTTER PIN, 3/32" X 1"
19	2	0711235	CLAMP, SHAFT CONTROL BOX
20	1	0711247	PIN, CONTROL BOX
21	6	0803294	CONTROL HANDLE WELDMENT
22	1	0804061	RIGHT CONTROL FRAME WELDMENT

Section VI - PARTS (cont'd)

REAR SPADE HYDRAULICS



REF. NO.	NO. REQ'D	PART NUMBER	DESCRIPTION
1	2	0300044	CONNECTOR, 6MJ-8MB
2	4	0300134	HOSE CLAMP, 1" INSULATED
3	2	0301522	CONNECTOR, 6MJ-6MB
4	2	0301819	NIPPLE, BLACK PIPE, 1/2" X 4-1/2"
5	2	0303017	CONNECTOR, 8MB-6FB
6	REF.	0303093	CONTROL VALVE, VDP11DDDC110
7	REF.	0303094	CONTROL VALVE, VDP11CDDDC53
8	4	0303748	HOSE ASSEMBLY, 136"
9	2	0306647	SPADE CYLINDER
10	4	0307045	ELBOW, 6MJ-8FP90

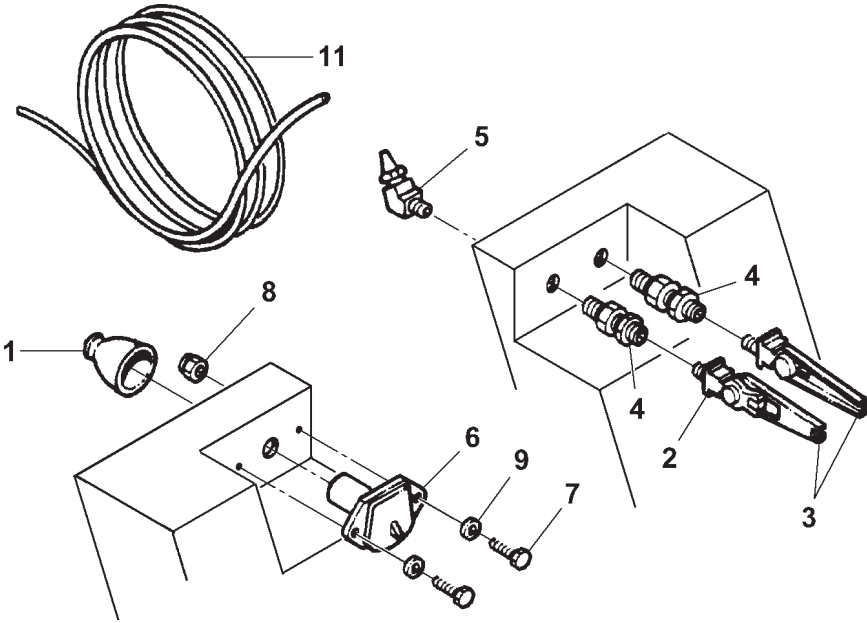
Section VI - PARTS (cont'd)

HYDRAULIC CYLINDERS

REF. NO.	NO. REQ'D	PART NUMBER	DESCRIPTION
1	2	0306747 --	BOOM LIFT CYLINDER (COMPLETE) SEAL KIT, BOOM LIFT CYLINDER
2	1	0306743 --	BOOM EXTEND CYLINDER (COMPLETE) SEAL KIT, BOOM EXTEND CYLINDER
3	2	0306745 --	UNDERLIFT TILT CYLINDER (COMPLETE) SEAL KIT, UNDERLIFT TILT CYLINDER
4	1	0306744 --	UNDERLIFT EXTEND CYLINDER (COMPLETE) SEAL KIT, UNDERIFT EXTEND CYLINDER
5	1	0306746 --	UNDERLIFT FOLD CYLINDER (COMPLETE) SEAL KIT, UNDERLIFT FOLD CYLINDER
6	2	0303691 --	REAR SPADE CYLINDER (COMPLETE) SEAL KIT, REAR SPADE CYLINDER

Section VI - PARTS (cont'd)

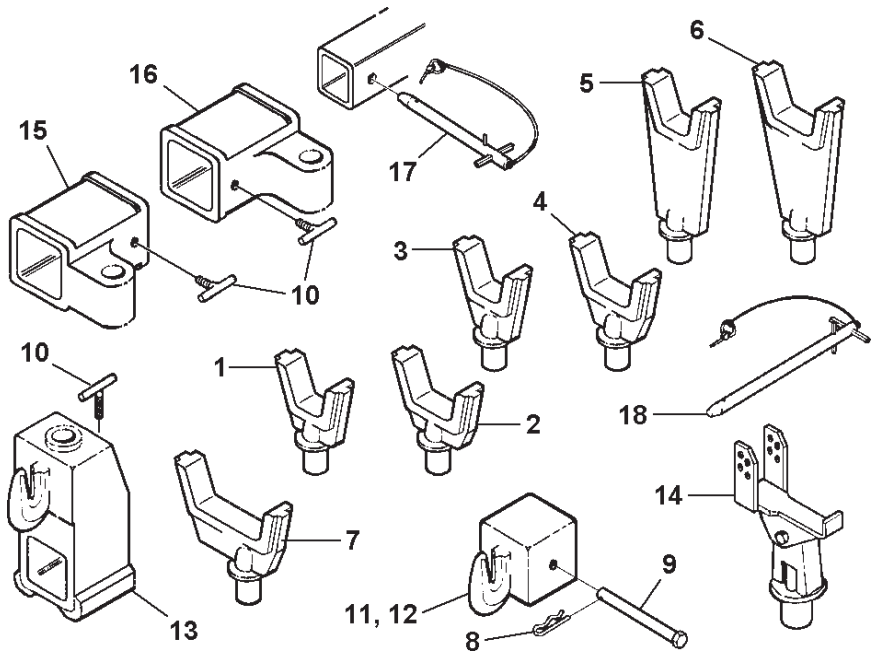
GLAD HAND KIT



REF. NO.	NO. REQ'D	PART NUMBER	DESCRIPTION
1	1	0301909	RECEPTACLE BOOT
2	2	0301944	GLAD HAND COUPLING
3	2	0301945	GLAD HAND PLUG
4	2	0301946	BULKHEAD CONNECTOR
5	2	0301947	ADAPTER, 1/4" NPM X 3/8" SYN. HOSE
6	1	0301948	HD 7-WAY TRAILER CONNECTOR
7	2	0400070	SCREW, 1/4"-20 X 1" HEX HD CAP
8	2	0400367	NUT, 1/4"-20 HEX NYLOK
9	2	0400451	WASHER, 1/4" FLAT
10	2	0400463	WASHER, 5/16" FLAT
11	2	0703795	AIR HOSE, 3/8" X 48" SYN FLEX

Section VI - PARTS (cont'd)

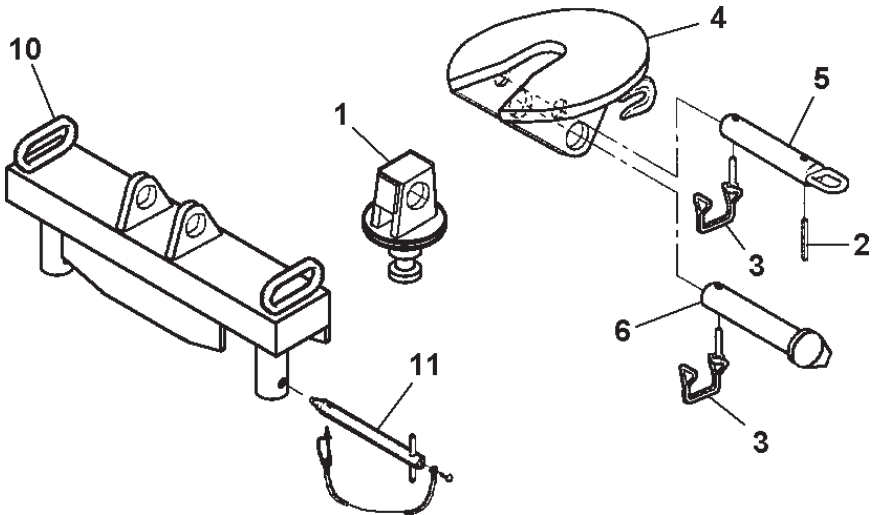
LIFT ADAPTERS



REF. NO.	NO. REQ'D	PART NUMBER	DESCRIPTION
1	2	0200018	FORK, SHORT (3" OPENING)
2	2	0200019	FORK, SHORT (4-1/2" OPENING)
3	2	0200020	FORK, MEDIUM (3" OPENING)
4	2	0200021	FORK, MEDIUM (4-1/2" OPENING)
5	2	0200022	FORK, LONG (3" OPENING)
6	2	0200023	FORK, LONG (4-1/2" OPENING)
7	2	0200024	FORK, OFFSET REAR AXLE
8	2	0306564	TEE HANDLE, ALUMINUM 5/8" X 1-1/4"
9	2	0400585	HAIR PIN COTTER, 1-1/4"
10	2	0711002	BOLT, MODIFIED 5/8"-11 X 6" WITH HOLE
11	2	0800590	TEE HANDLE, FORK ADAPTER
12	1	0801186	CHAIN HOOK ADAPTER, RT
13	1	0801187	CHAIN HOOK ADAPTER, LT
14	2	0802810	PIVOT PIN LIFT BRACKET
15	1	0803591	FORK ADAPTER, LT
16	1	0803592	FORK ADAPTER, RT
17	2	0900900	RETAINER PIN ASSEMBLY
18	2	0902321	RETAINING PIN, SPRING LIFT BRACKET

Section VI - PARTS (cont'd)

KING PIN ADAPTER



REF. NO.	NO. REQ'D	PART NUMBER	DESCRIPTION
1	1	0803605	KING PIN ADAPTER WELDMENT
	--	0902782	FIFTH WHEEL ADAPTER (COMPLETE)
2	1	0400555	ROLL PIN, 3/8" X 1-1/2"
3	2	HD1259	SNAPPER PIN
4	1	VA0660	FIFTH WHEEL PIVOT PLATE WELDMENT
5	1	VA0661	PULL PIN WELDMENT
6	1	VA0662	PIVOT PIN WELDMENT
	--	124002211	PINTLE HOOK KIT (COMPLETE)
7	1	0302198	PINTLE HOOK (NOT SHOWN)
8	4	0400176	SCREW, 1/2"-13 X 1" HEX HD CAP
9	4	0400491	LOCKWASHER, 1/2" HELICAL
10	1	0803604	5TH WHEEL, KING PIN ADAPTER & PINTLE HOOK BRACKET WELDMENT
11	2	0902378	RETAINING PIN ASSEMBLY

Section VI - PARTS (cont'd)

MODULAR WIRING KIT

REF. NO.	NO. REQ'D	PART NUMBER	DESCRIPTION
1	50	0300153	CONNECTOR,WIRE (BLUE 7520)
2	12	0300154	CONNECTOR,WIRE (YELL 7530)
3	35	0301503	10 RING CONN.
4	1	0301812	HEAT SHRINK TUBE-IN.MELT (BLACK)
5	75	0302433	CABLE TIE, 7-50 LB
6	50	0302664	ADHESIVE BACK TIE MOUNT
7	1	0302853	WIRING HARNESS LT 5030T
8	1	0302854	WIRING HARNESS RT 5030T
9	9	0302872	FEMALE TERMINAL
10	1	0302874	CONNECTOR, 6 WAY MALE
11	1	0302875	CONNECTOR, 6 WAY FEMALE
12	3	0303385	JUNCTION BOX, 10 POLE
13	6	0303584	GROUND WIRE
14	1	0303586	3 POS. TOWER (FEMALE)
15	1	0303587	3 POS. SHROUD (MALE)
16	9	0303770	CABLE SEAL, BLUE
17	12	0400070	SCREW, 1/4"-20 X 1" HEX HD CAP
18	12	0400367	NUT, 1/4"-20 NYLOK HEX
19	1	0903069	KIT, BACK UP ALARM
20	10	GV57	RUBBER GROMMET

Section VI - PARTS (cont'd)

MODULAR LIGHT KIT

REF. NO.	NO. REQ'D	PART NUMBER	DESCRIPTION
1	1	0300076	BRACKET, LICENSE PLATE
2	10	0300117	RUBBER GROMMET
3	1	0300273	LICENSE PLATE ILLUMINATOR
4	1	0300442	3-LIGHT BAR ASSEMBLY
5	16 FT.	0300844	CLOSED CELL SPONGE, 3/4" X 1/8"
6	24	0301503	10 RING CONN.
7	1-1/2	0301812	HEAT SHRINK TUBE-IN.MELT (BLACK)
8	4	0302201	BACK-UP LIGHT
9	18	0302544	DOME LIGHT, M 390S
10	2	0302611	MARKER LIGHT, AMBER
11	2	0306778	TAIL LIGHT, LEFT
12	2	0306779	TAIL LIGHT, RIGHT
13	24	0400014	SCREW, #8-32 X 1" RD HD PHL MCH
14	54	0400043	SCREW, #10-24 X 1" OVAL HD PHL MCH
15	66	0400045	SCREW, #10-24 X 1/2" THRD CUT RD HD SS

CENTURY®

Miller Industries Towing Equipment Inc.

8503 Hilltop Drive • Ooltewah, Tennessee 37363 • (423) 238-4171

www.millerind.com